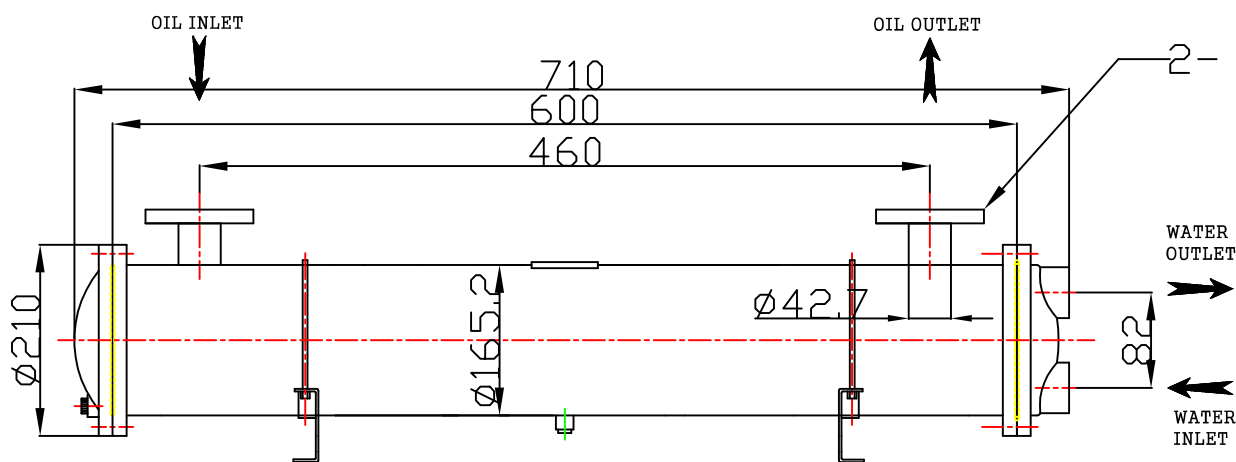
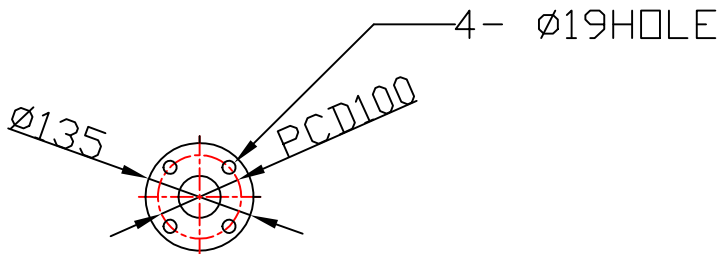
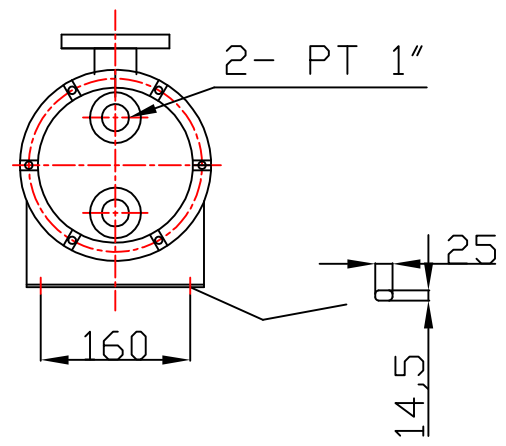


\* Tube(동파이프) :  $\phi 9.52 \times 76ea$   
 Max.Working Pressure :  $7kgf/cm^2$



2- 10K 32A



TYPE	OIL COOLER	APPROVED	PROJECTION 3RD ANGLE
TITLE		APPROVED	Q'TY
	DH-OC-F(10K)-6X460	CHECKED	SCALE NON-SCALE
		DRAWN	DATE 2018.08
	동화기업	CUSTOMER	
		DWG NO	